

1.MATERIAL:

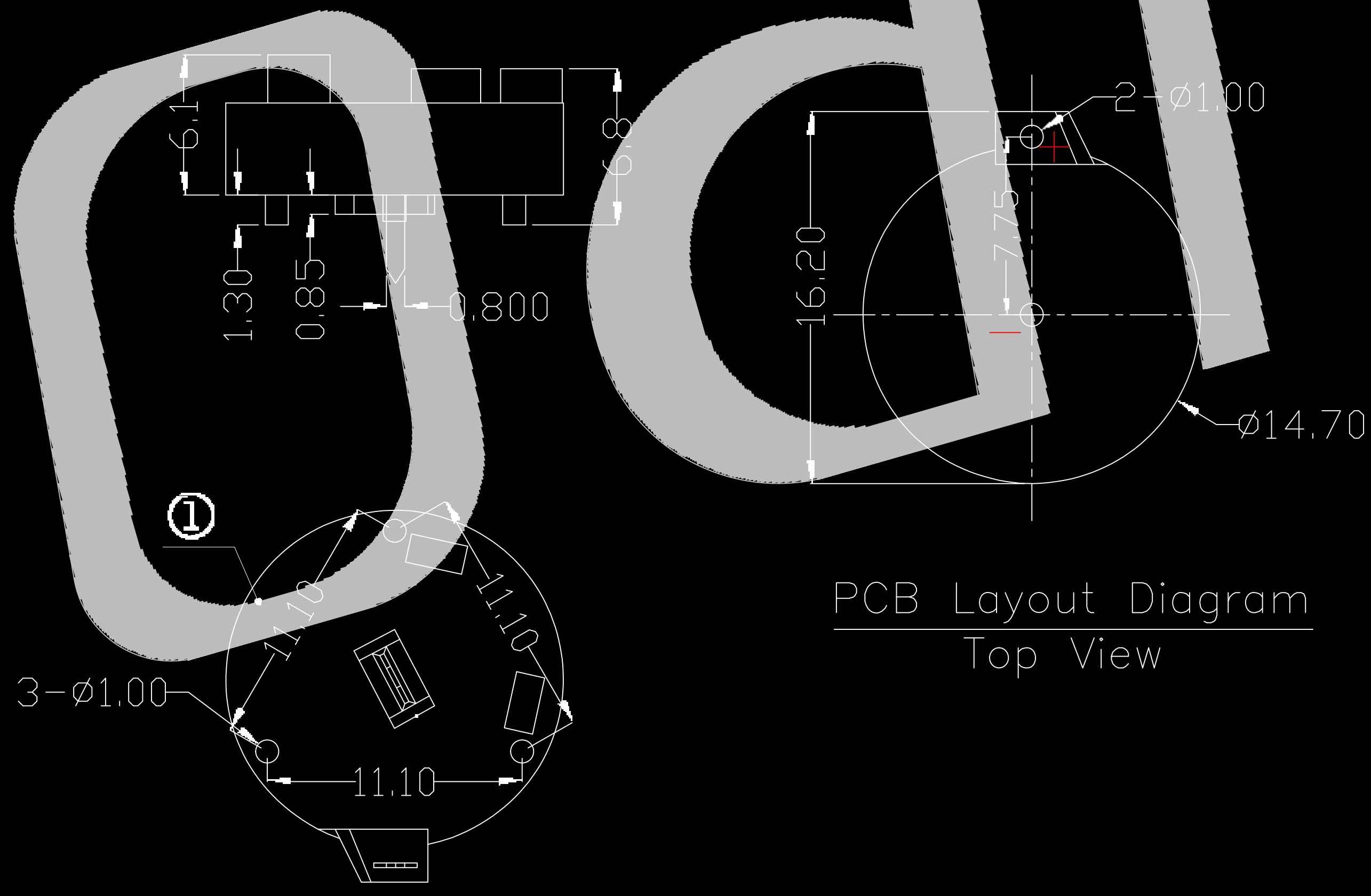
- a.HOUSING:PBT UL94V-0
- b.CONTACT:PHOSPHOR BRONZE
(SURFACE PLATING:Sn100u"-120u")



SEE ORDERING INFORMATION

2.ELECTRIC:

- a.CONTACT RESISTANCE: 30 MILLIOHMS MAX
- b.INSULATION RESISTANCE: 1000 MEGA OHMS MIN
- c.DIELECTNIC VOLTAGE: 500V AC ONE SEC LEVEL
- d.OPERATING TEMPERATURE: -25°C~ +85°C



PCB Layout Diagram
Top View

客户品名		
客户料号		
E		
D		
C		
B		
A	RELEASED	2020/5/10
REV	ECN.NO.	Date

Units	mm	Scale	2:1	Drawing By	Date
Tolerance Unless Otherwise Specified				Reviewed By	Date
X.X ~ ±0.25				Approvai By	Date
X.XX ~ ±0.20					
X.XXX ~ ±0.10					
Angle ~ ±0.50°					

Odia® 广东澳迪亚电子有限公司
HTTP://WWW.ODIACHINA.COM

Date	2020/5/10	Title	BS-1220-1-FSnDIP
Sheet	1 of 1		

Third Angle Projection	Drawing No.	REV
	F/Name	A