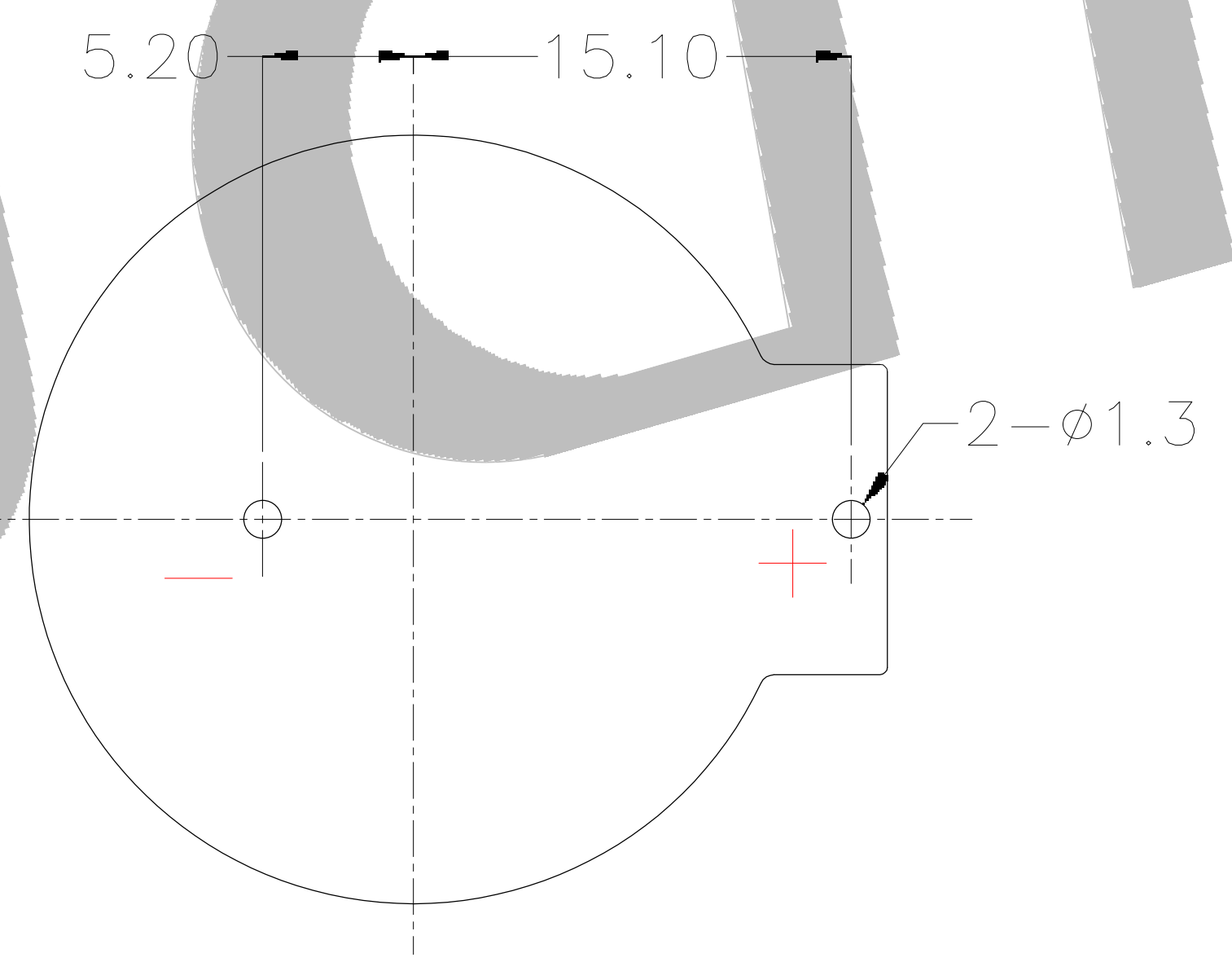
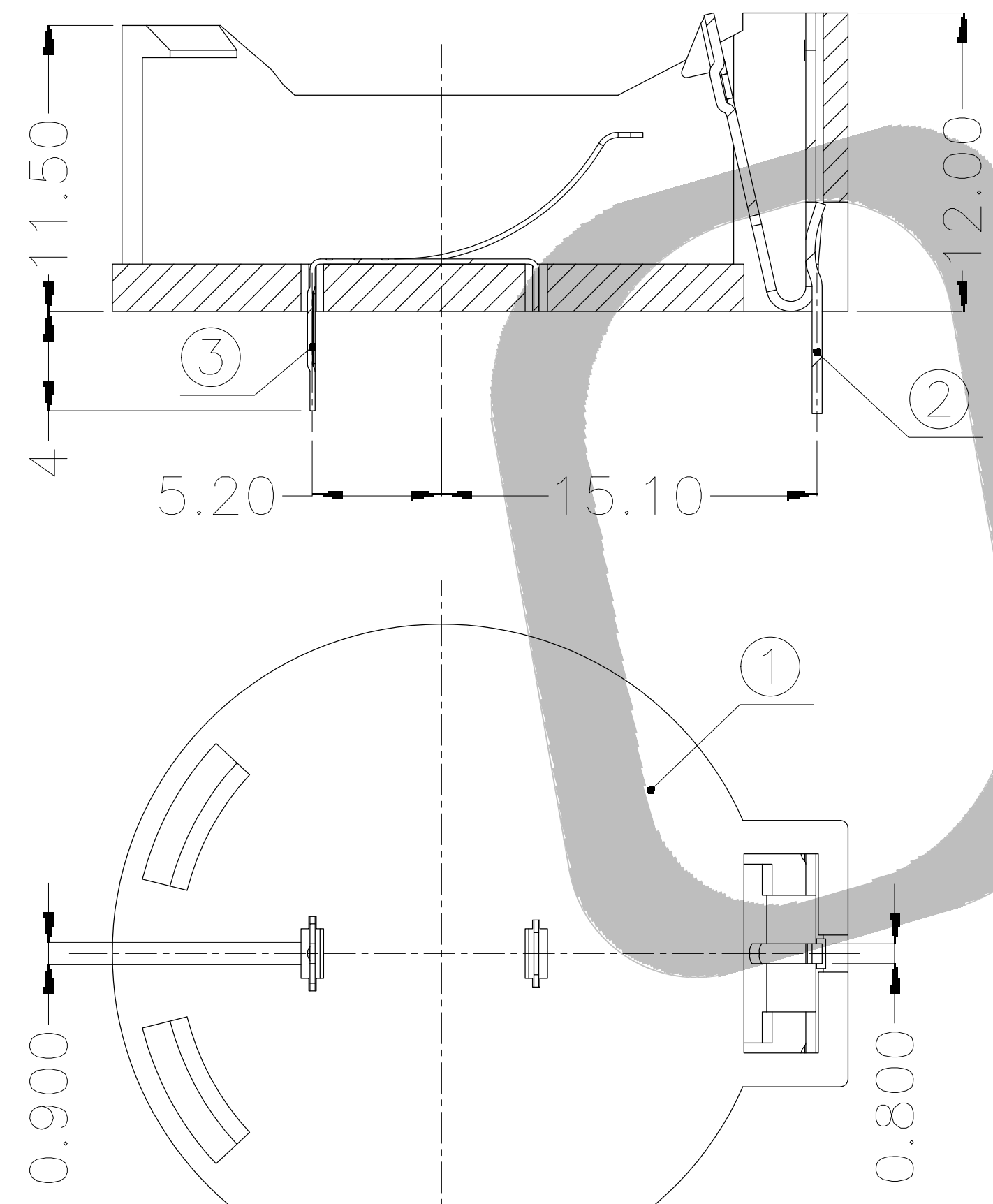


NOTE:

- 1.MATERIAL:
 - a.HOUSING:PBT
 - b.CONTACT:PHOSPHOR BRONZE
(SURFACE PLATING: Ni100u"~120u")
- 2.ELECTRIC:
 - a.CONTACT RESISTANCE: 30 MILLIOHMS MAX
 - b.INSULATION RESISTANCE: 1000 MEGA OHMS MIN
 - c.DIELECTNIC VOLTAGE: 500V AC ONE SEC LEVEL
 - d.OPERATING TEMPERATURE: -25°C ~ +85°C

SEE ORDERING INFORMATION



PCB Layout Diagram
Top View

| | |
|------|----------|
| 客户品名 | |
| 客户料号 | |
| E | |
| D | |
| C | |
| B | |
| A | RELEASED |
| REV | ECN.NO. |

| | | | |
|--------------------------------------|----|--------|-----|
| Units | mm | Scale | 2:1 |
| Tolerance Unless Otherwise Specified | | | |
| X.X | ~ | ±0.25 | |
| X.XX | ~ | ±0.20 | |
| X.XXX | ~ | ±0.10 | |
| Angle | ~ | ±0.50° | |

| | |
|-------------|------|
| Drawing By | Date |
| Reviewed By | Date |
| Approvai By | Date |

Odia® 广东澳迪亚电子有限公司
[HTTP://WWW.ODIACHINA.COM](http://www.odiachina.com)

| | | | |
|------------------------|-----------|-------------|--------------|
| Date | 2020/5/10 | Title | BS-2477-1DIP |
| Sheet | 1 of 1 | | |
| Thirt Angle Projection | | Drawing No. | REV |
| | | F/Name | A |