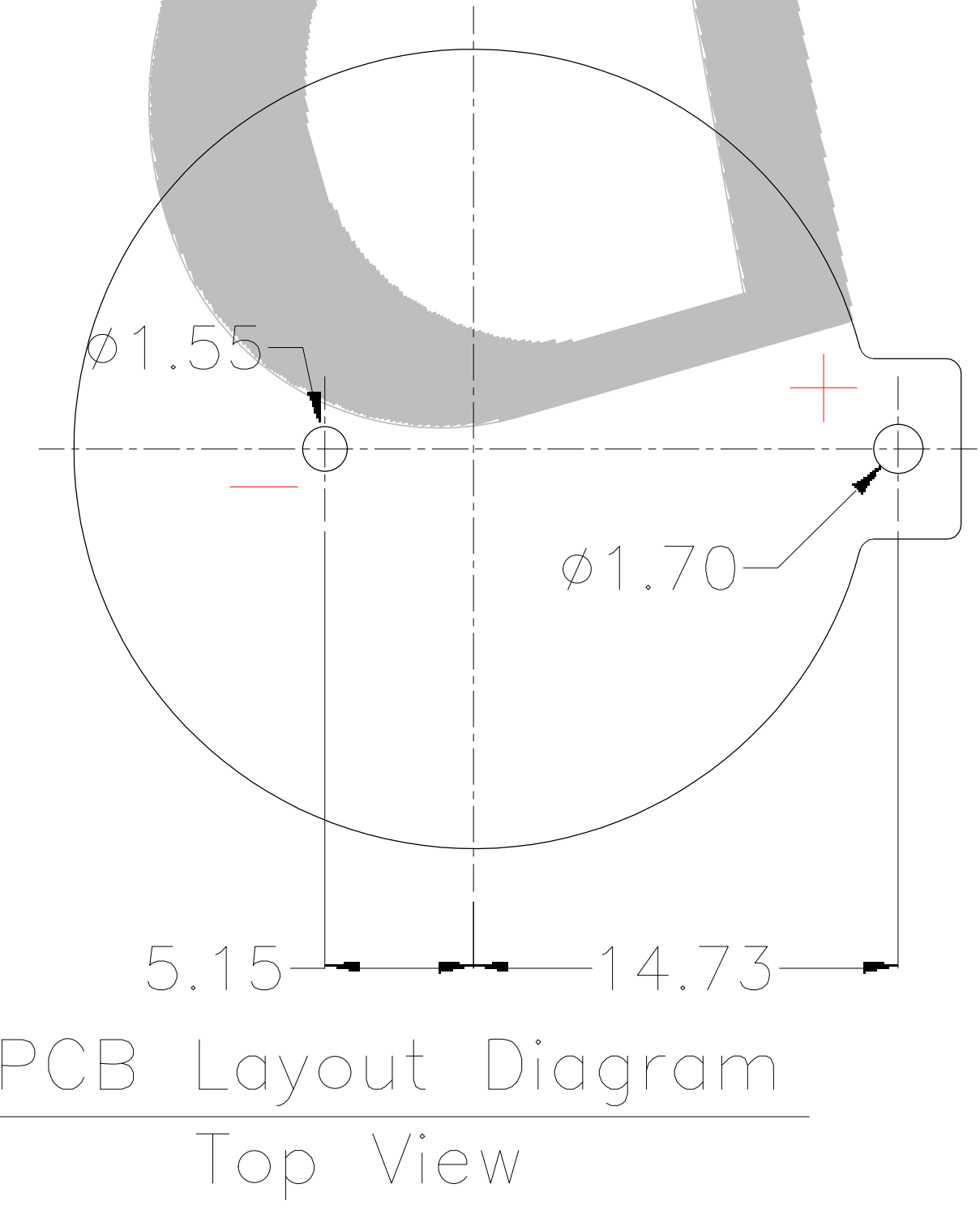
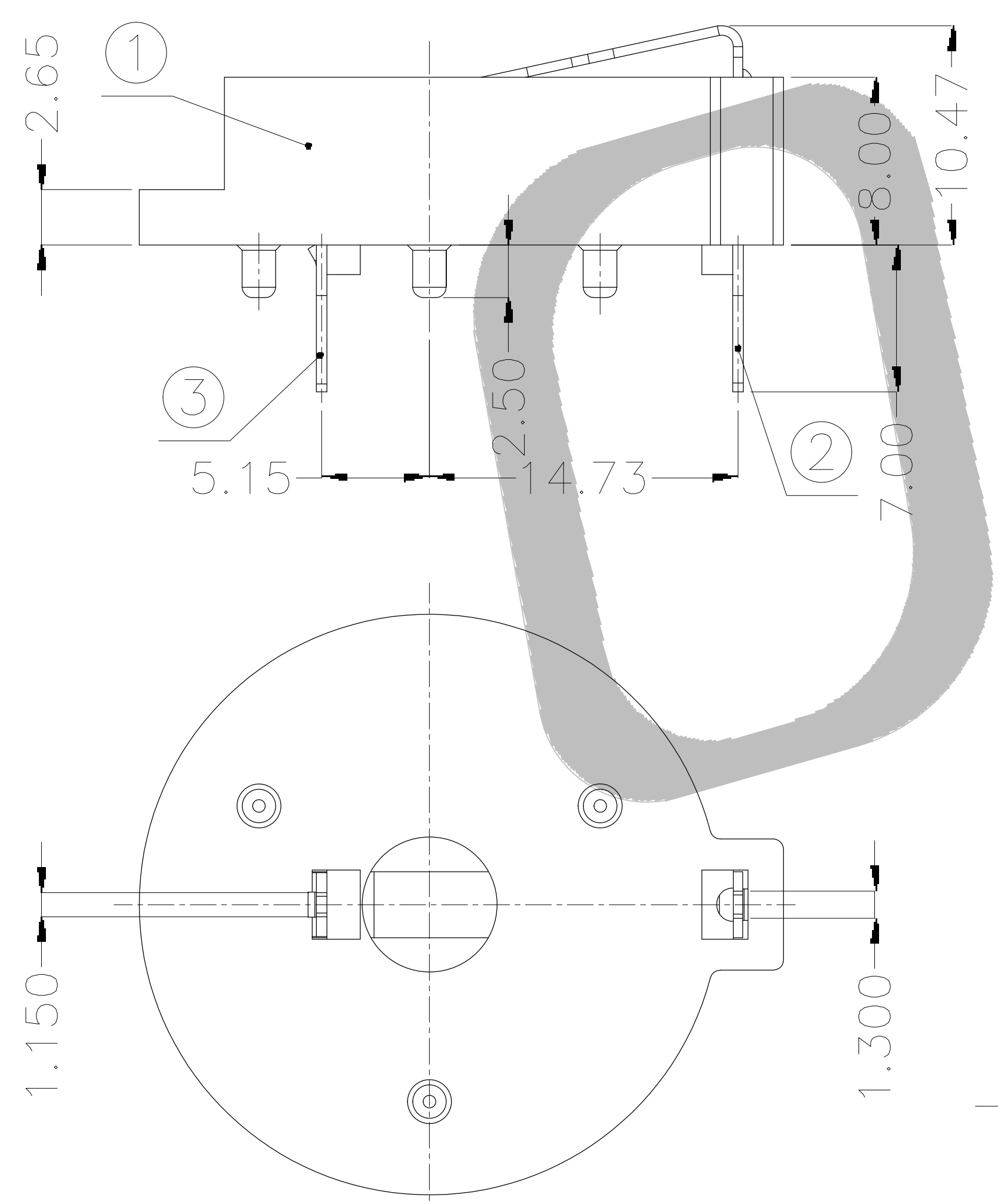
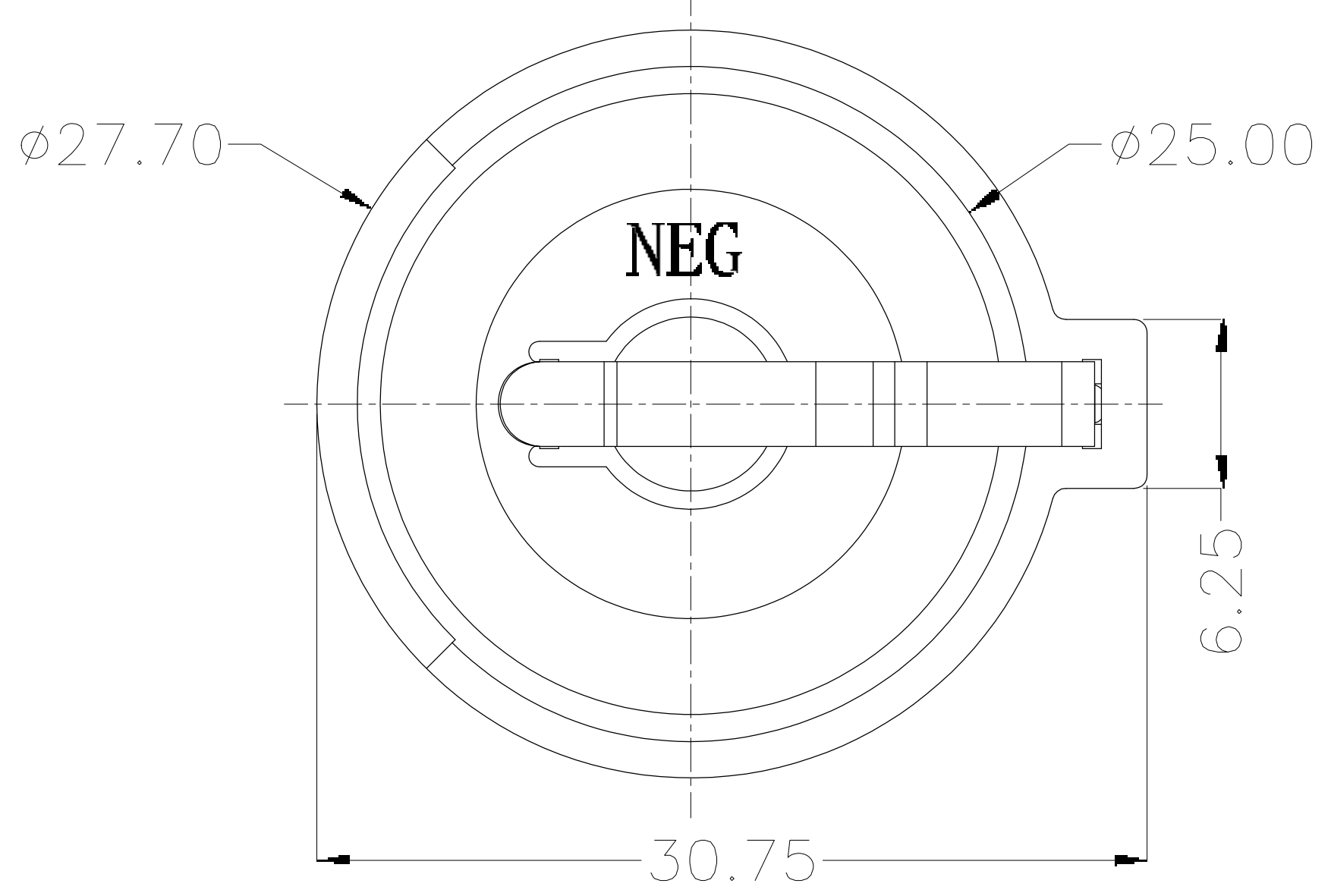


仅供参考 Reference Only



PCB Layout Diagram
Top View

NOTE:

- 1.MATERIAL:
 - a.HOUSING:PBT
 - b.CONTACT:Mn Steel
 - (SURFACE PLATING: Ni100u"-120u")
 - SEE ORDERING INFORMATION
- 2.ELECTRIC:
 - a.CONTACT RESISTANCE: 30 MILLIOHMS MAX
 - b.INSULATION RESISTANCE: 1000 MEGA OHMS MIN
 - c.DIELECTNIC VOLTAGE: 500V AC ONE SEC LEVEL
 - d.OPERATING TEMPERATURE: -25°C ~ +85°C



客户品名	
客户料号	
E	
D	
C	
B	
A	RELEASED
REV	ECN.NO.

Units	mm	Scale	2:1
Tolerance Unless Otherwise Specified			
X.X	~	±0.25	
X.XX	~	±0.20	
X.XXX	~	±0.10	
Angle	~	±0.50°	

Drawing By	Date
Reviewed By	Date
Approvai By	Date

Odia® 广东澳迪亚电子有限公司
[HTTP://WWW.ODIACHINA.COM](http://www.odiachina.com)

Date	2020/5/10	Title	BS-2477-2DIP
Sheet	1 of 1		
Third Angle Projection		Drawing No.	REV
		F/Name	A