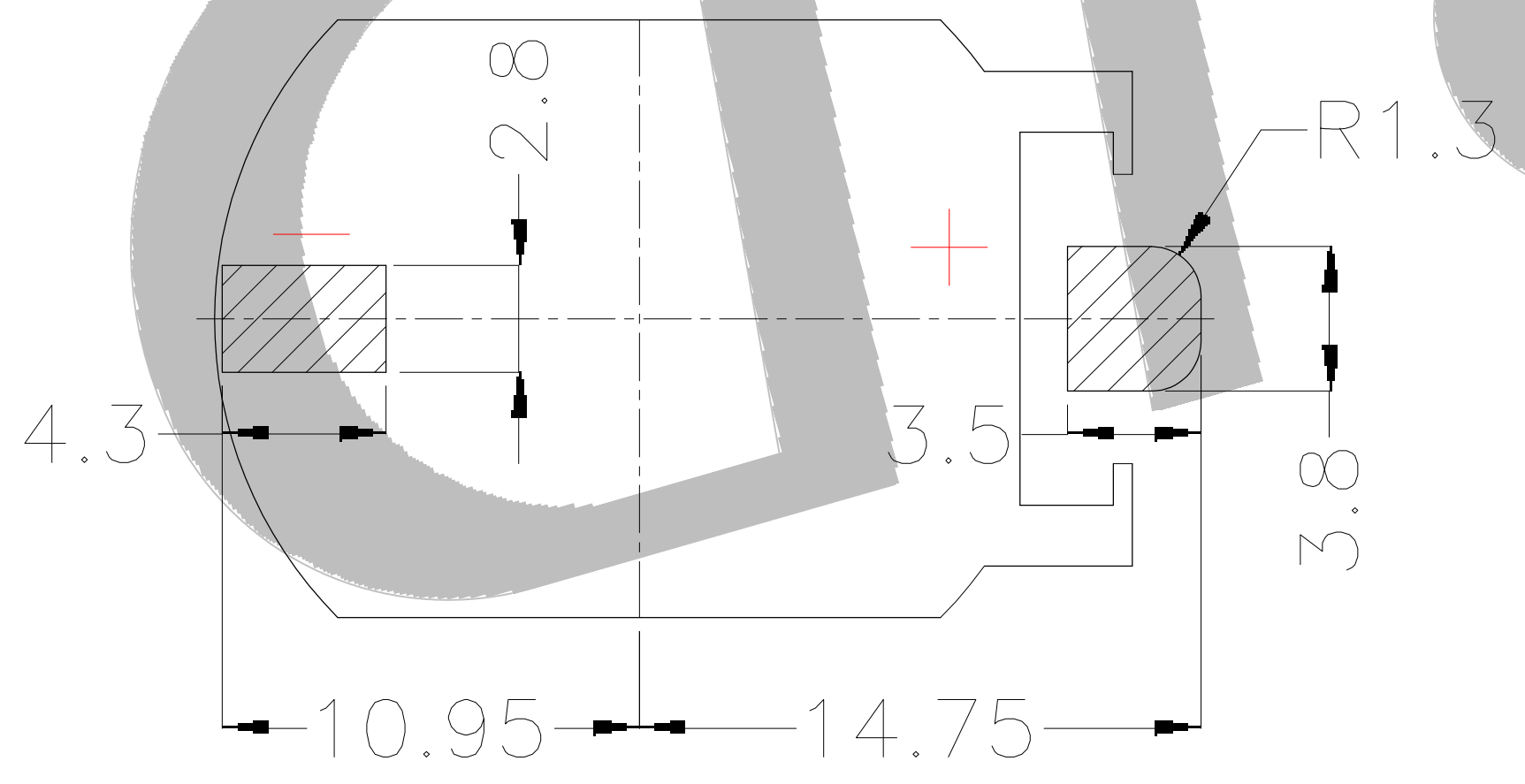
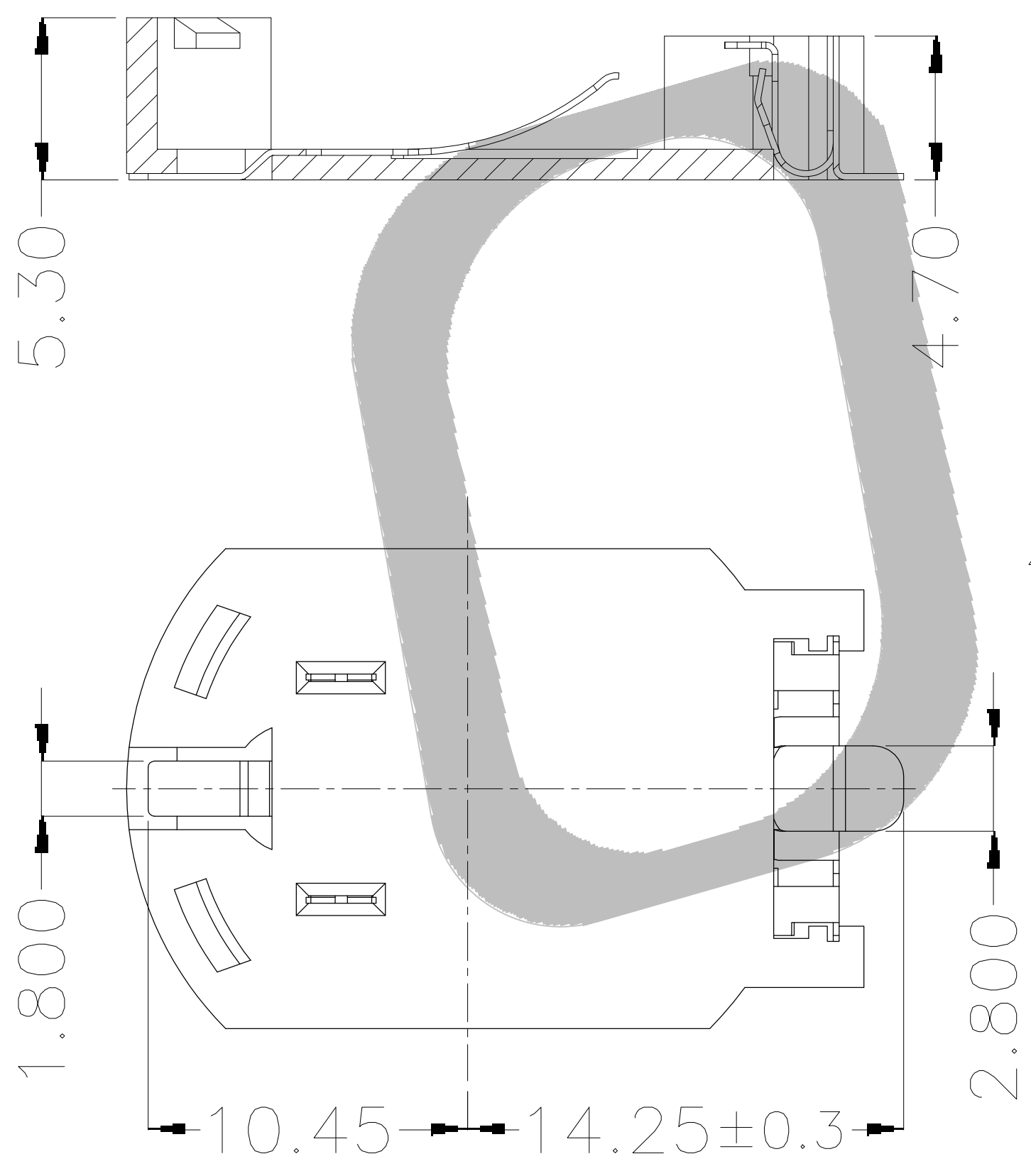


NOTE:
 1.MATERIAL:
 a.HOUSING:PPA
 b.CONTACT:PHOSPHOR BRONZE
 (SURFACE PLATING: Au1u")
 SEE ORDERING INFORMATION
 2.ELECTRIC:
 a.CONTACT RESISTANCE: 30 MILLIOHMS MAX
 b.INSULATION RESISTANCE: 1000 MEGA OHMS MIN
 c.DIELECTNIC VOLTAGE: 500V AC ONE SEC LEVEL
 d.OPERATING TEMPERATURE: -25° C~ +85° C



PCB Layout Diagram
Top View

客户品名		
客户料号		
E		
D		
C		
B		
A	RELEASED	2020/5/10
REV	ECN.NO.	Date

Units	mm	Scale	2:1	Drawing By	Date
Tolerance Unless Otherwise Specified				Reviewed By	Date
X.X ~ ±0.25				Approvai By	Date
X.XX ~ ±0.20					
X.XXX ~ ±0.10					
Angle ~ ±0.50°					

Odia® 广东澳迪亚电子有限公司
 HTTP://WWW.ODIACHINA.COM

Date	2020/5/10	Title	BS-2032-8
Sheet	1 of 1		
Third Angle Projection		Drawing No.	REV
		F/Name	A